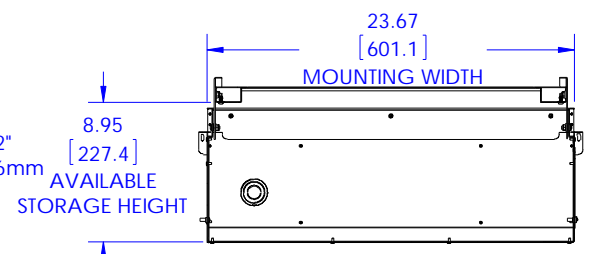
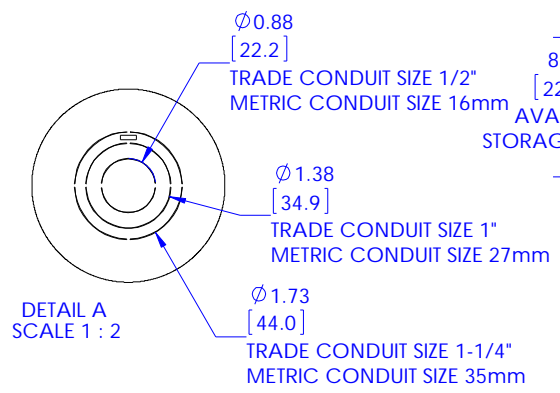


- ELECTRICAL INSTALL PLATE SPACE FOR
1. A SINGLE GANG OUTLET
  2. DUAL GANG OUTLET
  3. PASS THROUGH FOR DUAL GANG OUTLET ATTACHED TO 1/2" CONDUIT



SECTION B-B



THE INFORMATION AND DESIGNS CONTAINED IN THIS DRAWING ARE CONFIDENTIAL AND THE PROPRIETARY PROPERTY OF MILESTONE AV TECHNOLOGIES NEITHER THIS DESIGN NOR ANY INFORMATION CONTAINED IN THIS DRAWING MAY BE REPRODUCED OR DISCLOSED TO OTHERS WITHOUT THE EXPRESS WRITTEN CONSENT OF MILESTONE AV TECHNOLOGIES.

CAD GENERATED DRAWING. DO NOT MANUALLY UPDATE.			<p>6436 CITY WEST PKWY EDEN PRAIRIE, MN, 55344 PHONE: 866-977-3901 FAX: 877-894-6918</p>
DRAWN BY	HEF	3/25/2014	
ENG APPROVAL			DESCRIPTION
MFG APPROVAL			1 X 2 CEILING ENCLOSURE
QA APPROVAL			MODEL NO.
SHEET 1 OF 1		SCALE	1:8
		SIZE	B
		DWG. NO.	TECH-000572
		REV.	00