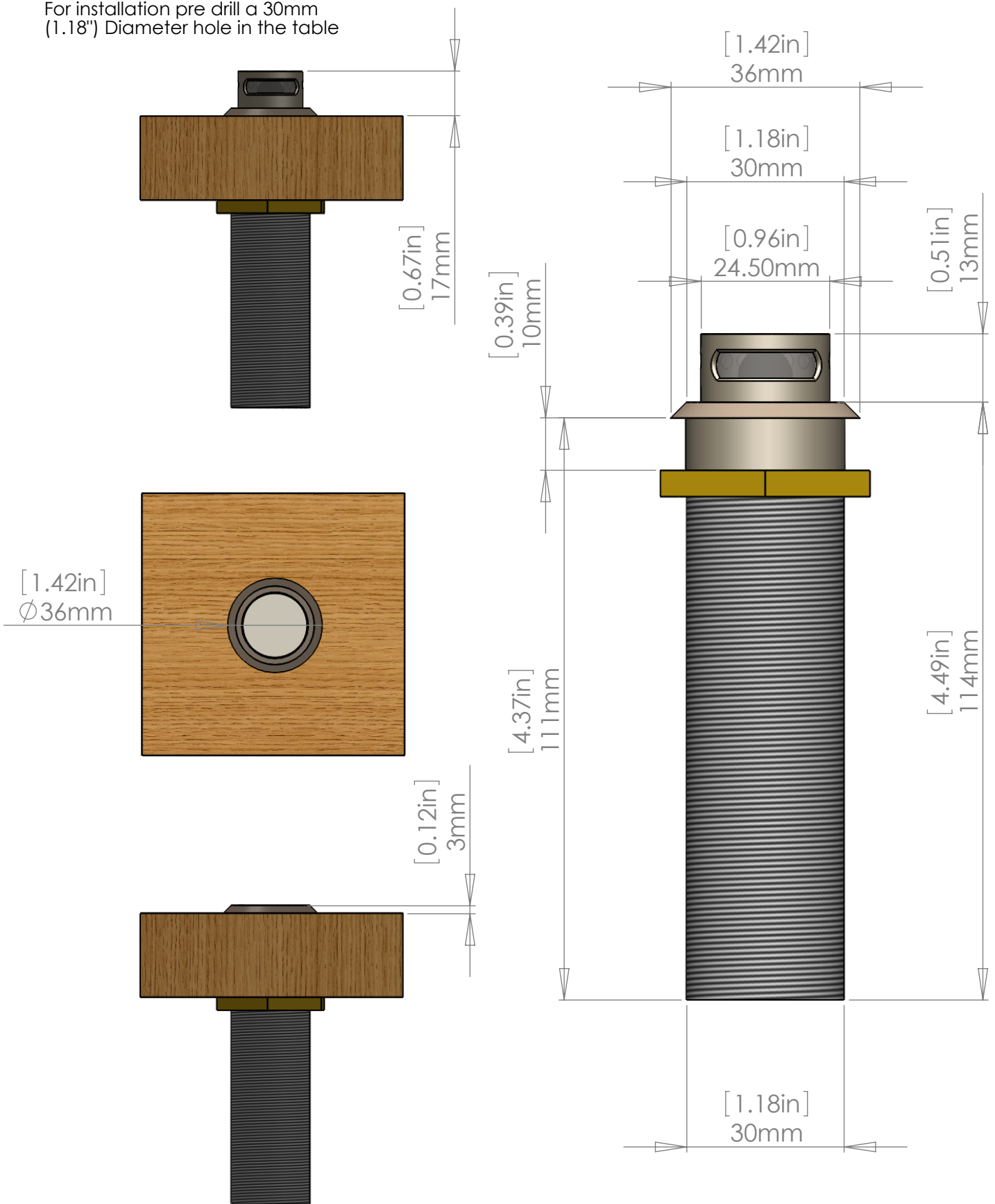


For installation pre drill a 30mm (1.18") Diameter hole in the table



PROPRIETARY AND CONFIDENTIAL

THE INFORMATION CONTAINED IN THIS DRAWING IS THE SOLE PROPERTY OF <INSERT COMPANY NAME HERE>. ANY REPRODUCTION IN PART OR AS A WHOLE WITHOUT THE WRITTEN PERMISSION OF <INSERT COMPANY NAME HERE> IS PROHIBITED.

CLOCKAUDIO™

CRM 102-RF

SIZE	DWG. NO.		
A	663	02/06/09	
SCALE:1:2			SHEET 1 OF 1