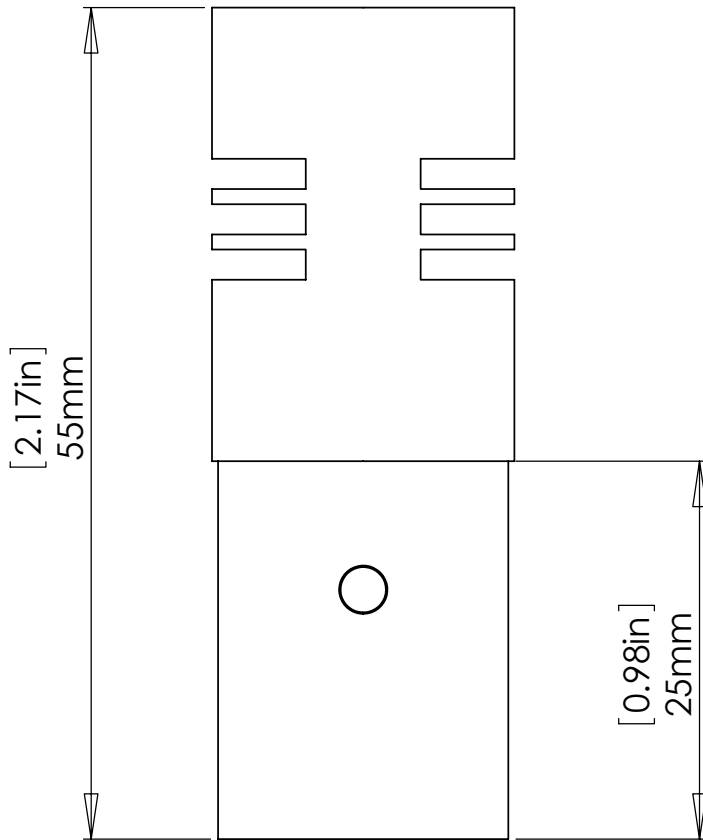
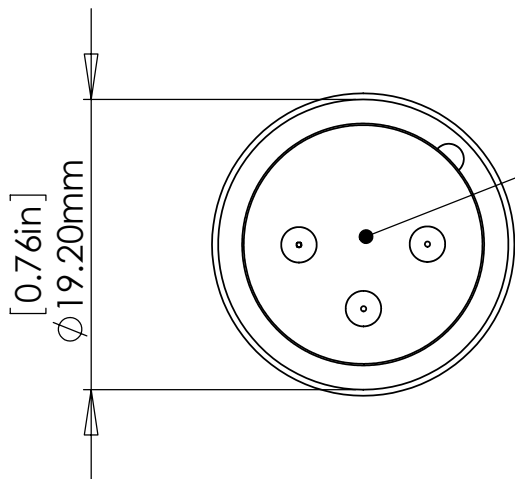
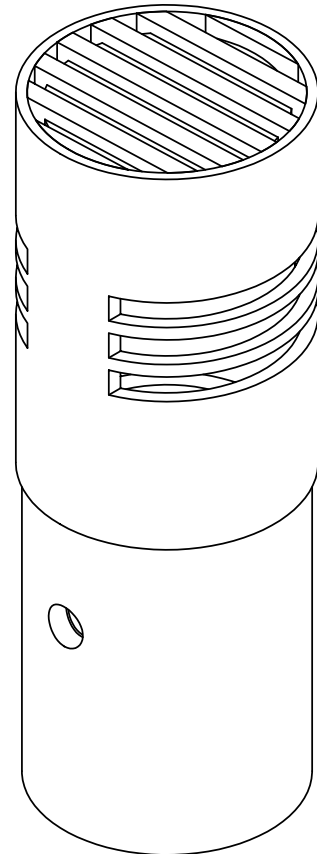


[0.79in]
 ϕ 20mm



[2.17in]
 55mm

[0.98in]
 25mm



[0.76in]
 ϕ 19.20mm

Pin 1---screen
 Pin 2---Phase +
 Pin 3---Phase -

	NAME	DATE
DRAWN	C. Budgen	30/03/10
CHECKED		
Approved		
MFG APPR.		
Q.A.		

CLOCKAUDIO

Model number:		D 5	
SIZE	DWG. NO.	736	REV.
A			

PROPRIETARY AND CONFIDENTIAL
 THE INFORMATION CONTAINED IN THIS DRAWING IS THE SOLE PROPERTY OF <INSERT COMPANY NAME HERE>. ANY REPRODUCTION IN PART OR AS A WHOLE WITHOUT THE WRITTEN PERMISSION OF <INSERT COMPANY NAME HERE> IS PROHIBITED.

TOLERANCES: +/- 2mm (0.08")	
MATERIAL	Brass
FINISH	Satin Black
DO NOT SCALE DRAWING	

COMMENTS: