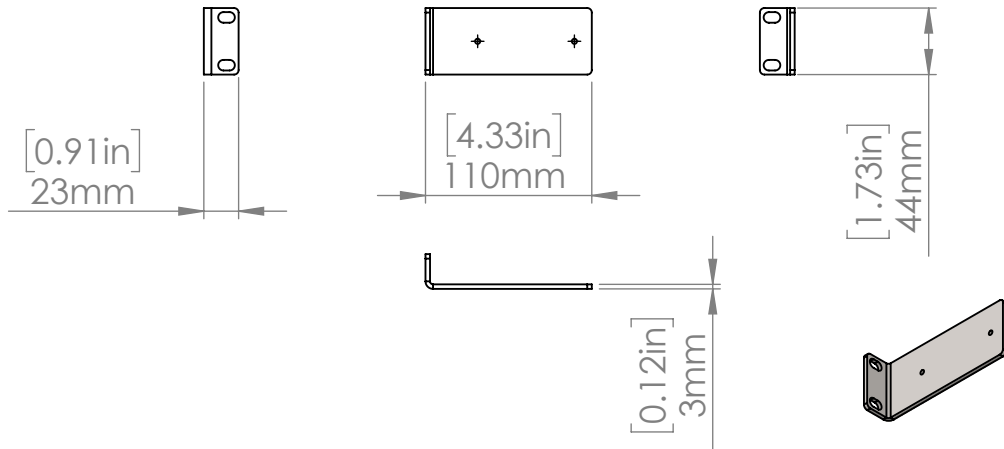
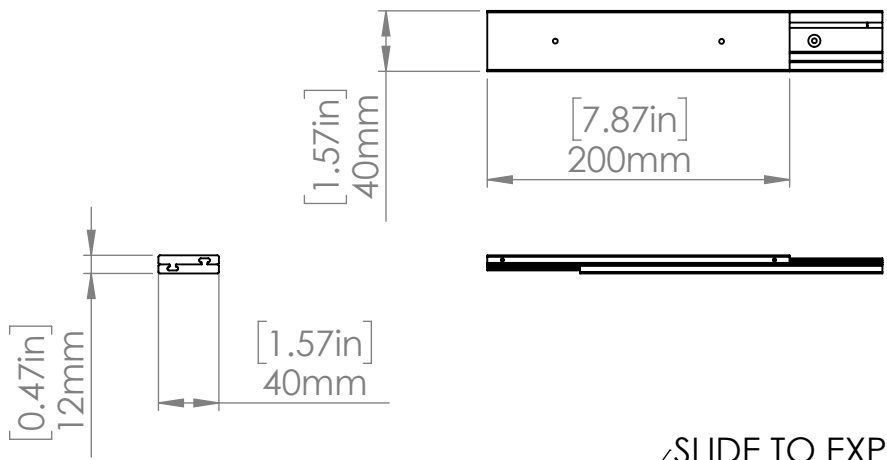


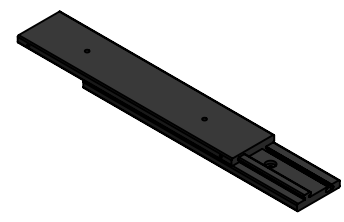
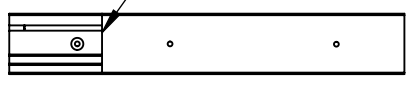
RACK EARS 2 PER PACK



MIDDLE SUPPORT BRACKET FIXED TO RECEIVERS



SLIDE TO EXPOSE SCREW HOLES



PROPRIETARY AND CONFIDENTIAL THE INFORMATION CONTAINED IN THIS DRAWING IS THE SOLE PROPERTY OF CLOCKAUDIO LTD. ANY REPRODUCTION IN PART OR AS A WHOLE WITHOUT THE WRITTEN PERMISSION OF CLOCKAUDIO LTD IS PROHIBITED.	CLIENT APPROVAL			NAME	DATE	
	NAME		DRAWN	C.BUDGEN	20/07/18	
	COMPANY		MATERIAL	STAINLESS STEEL		RM 10
	DATE		FINISH	SATIN BLACK AND GREY		
	SIGNATURE		NOTES:	FOR FIXING 2 X WIRELESS RECEIVERS IN 1 U RACK		
COMMENTS:		DO NOT SCALE DRAWING			SIZE A DWG. NO. 1293	REV. 1
					SCALE:1:5	SHEET 1 OF 1