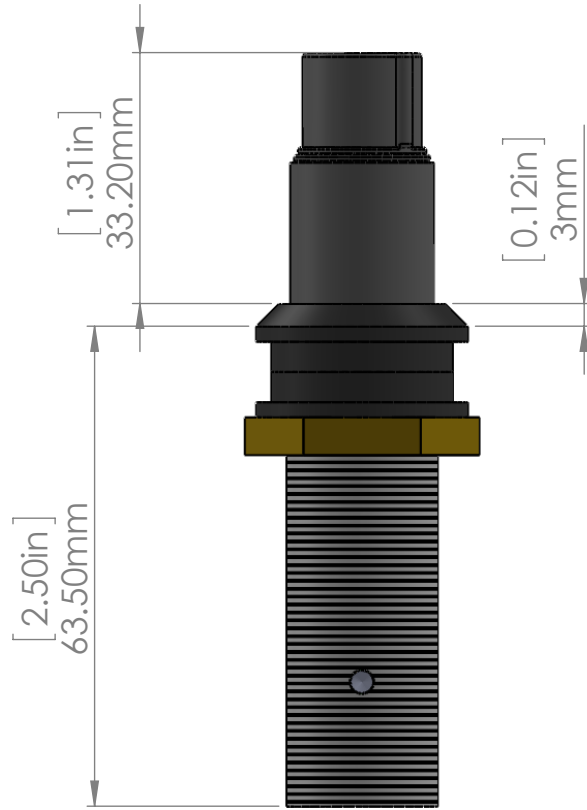
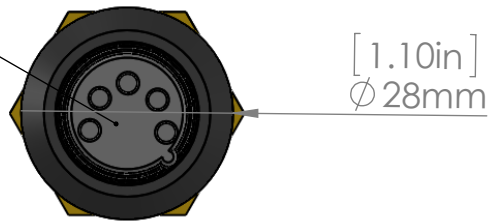
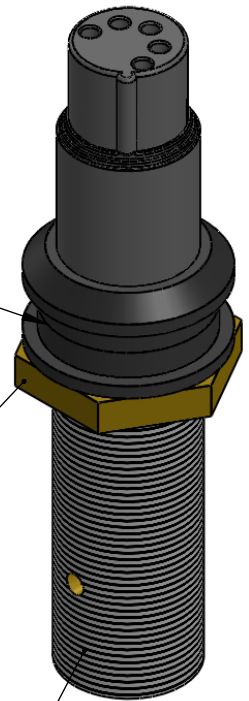


Female XLR



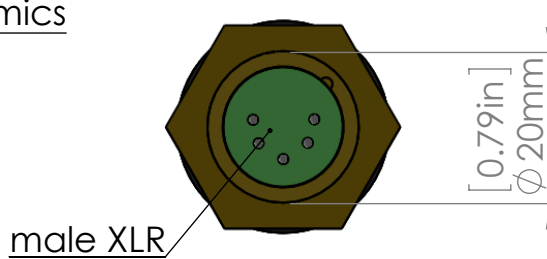
shock mounts

Locking nut



Pin configuration for clockaudio halo mics

- Pin 1---Ground
- Pin 2---Halo -
- Pin 3---Phase -
- Pin 4---Halo +
- Pin 5---Phase +



male XLR

M20 x 1 thread

PROPRIETARY AND CONFIDENTIAL THE INFORMATION CONTAINED IN THIS DRAWING IS THE SOLE PROPERTY OF CLOCKAUDIO LTD. ANY REPRODUCTION IN PART OR AS A WHOLE WITHOUT THE WRITTEN PERMISSION OF CLOCKAUDIO LTD IS PROHIBITED.	CLIENT APPROVAL			NAME	DATE		
	NAME		DRAWN	C.BUDGEN	08/08/12		
	COMPANY		MATERIAL	Brass			
	DATE		FINISH	Satin black			
	SIGNATURE		NOTES:				
	COMMENTS:				SIZE		DWG. NO.
			DO NOT SCALE DRAWING		A	944	
			SCALE:1:1	WEIGHT:		SHEET 1 OF 1	