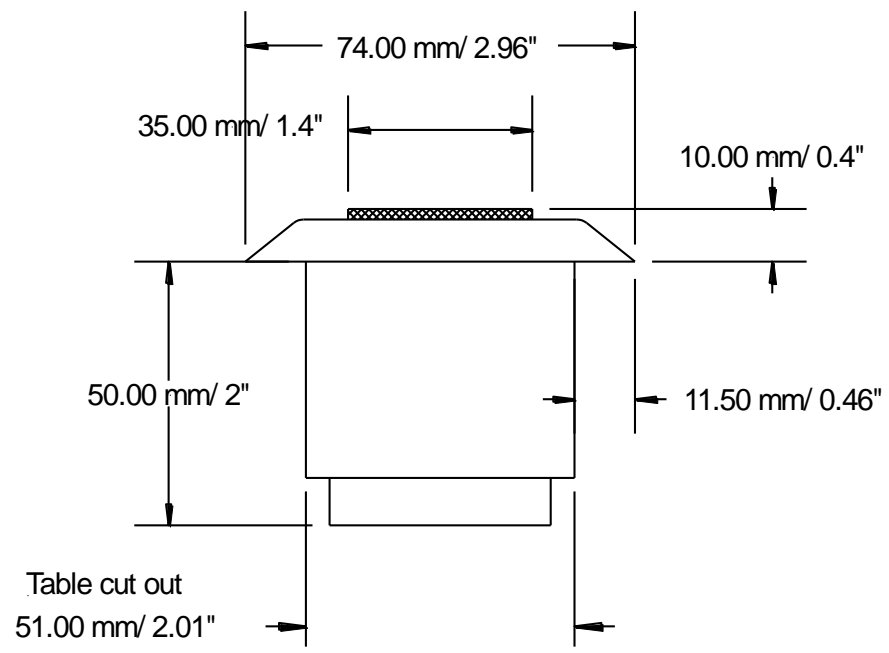
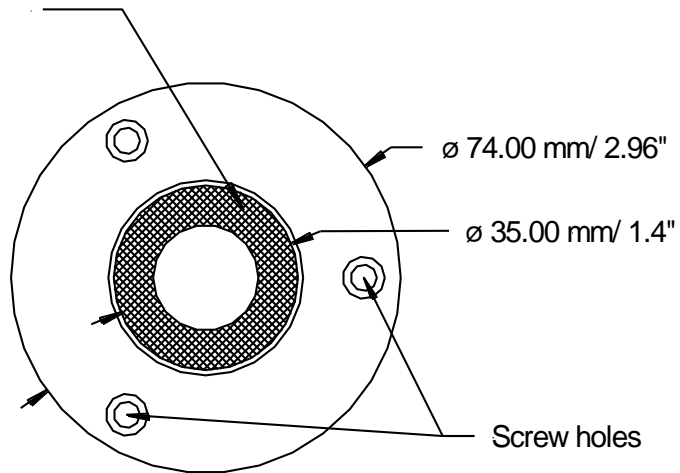


Rubber Shock mount



ISSUE	DESCRIPTION	APPD	DATE	TITLE	DRAWN	TRACED	CHECKED	APPROVED	DATE
	Low Profile shock absorbing Microphone holder			SM 70	C B				16/10/08
					DRAWING No. 572				

**CLOCKAUDIO**