

Appearing as an ordinary fire detector, the SEC 07 has been especially created and designed for security and surveillance applications. It offers easy mounting to walls or ceilings. With all electronics and screw terminals within the housing, the SEC 07 eliminates the need for connectors.



- Omni-directional
- Built-in line level pre-amp
- Selectable sensitivity switching
- Switchable for Phantom power (9-48V) or DC line level (12-24V) operation
- 15m (50ft) pick up range
- Red LED status indicators
- Sturdy ABS housing
- Factory default set for Line Level and maximum headroom
- Easy to install.
- Includes fixing kit

Specifications

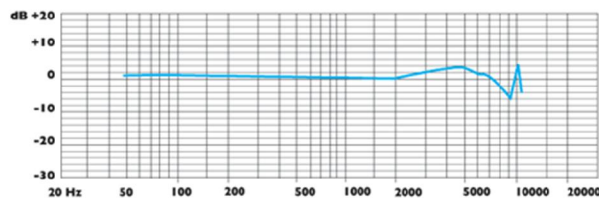
- Frequency response: 50Hz to 12KHz
- Impedance: 75 ohms
- Sensitivity: 1.4V/Pa
- Dimensions:
 - Height: 45 mm (1.77")
 - Diameter: 100 mm (3.94")
 - Weight: 126g (4.44ounces)

Installation: Twist off top to expose ceiling plate and screw terminals

Wiring information:

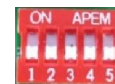
Input:	Pin 1	GND - ac/dc
	Pin 2	Phase -
	Pin 3	Phase +
	Pin 4	+ 24V ac + 12vdc

Frequency response



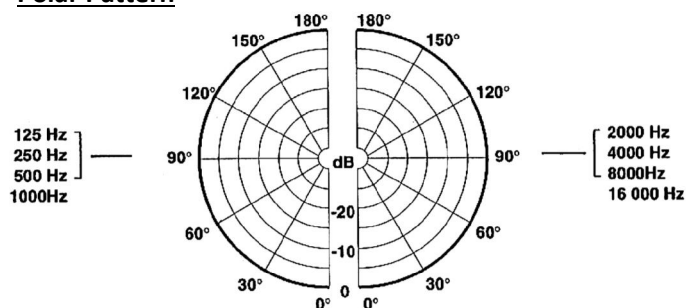
SW 1 – 5 way dip switch:

Only select one of the following options:



Slider	Resistor	Approximate Headroom
1	1K	Minimum
2	2.2K	6dB extra
3	3.9K	12dB extra
4	18.2K	18dB extra
5	100K	Maximum

Polar Pattern



SW 2 – 6 way dip switch:



	Switch Sliders	
	ON	OFF
Line level setup	2, 4, 6	1, 3, 5
Phantom power setup	1, 3, 5	2, 4, 6